



Top-mounted Monoblock Refrigeration Unit



Email: info@greehvacr.com

Phone(Whatsapp): 0086 15057108995

www.greehvacr.com or www.glenrefrigeration.com

Plug-in Top-mounted Monoblock Chilling Unit SAM11U

Model No.	SAM11U
Power supply	220V~240V/50HZ
Refrigerant	R290
Cooling type	Air fan cooling
Throttling way	Capillary

Work Condition

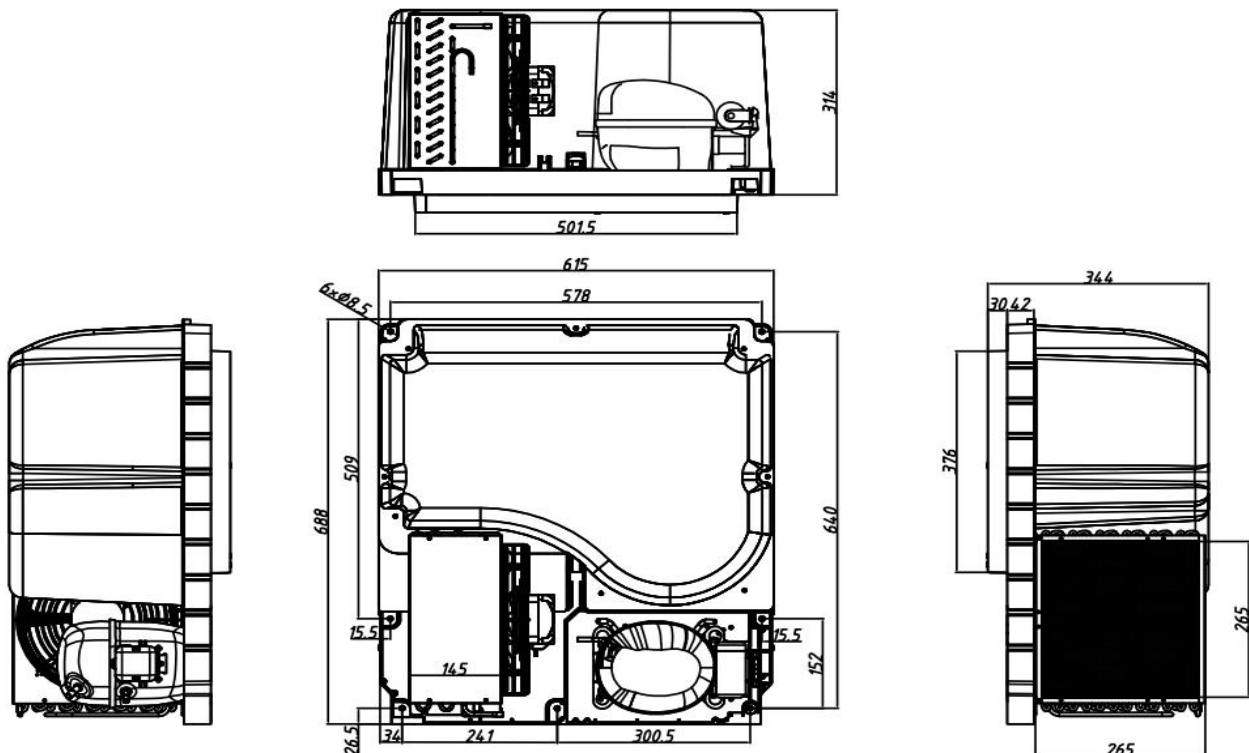
Ambient Temp./Humidity	32°C/RH60%
Evaporating Temp.	7.2°C
Voltage range	187V~254V
Condensing Temp.	54.4°C

Performance Parameter

Volume (1400)L	Capacity (W)	Input Power (W)	Current (A)
	≥95%	≤115%	≤110%
≤1400	1100	675	3.07

Temp. Control Setting

Item	Functions	Parameters
1	Stop Temp.	≥2°C
2	Restart Temp.	4°C
3	Compressor stop time	5 minites
4	Evaporating fan during defrosting	ON
5	Defrosting period	4 hours
6	Defrosting time	25 minites
7	Defrosting stop Temp.	10°C



Plug-in Top-mounted Monoblock Chilling Unit SAM7U

Model No.	SAM7U
Power supply	220V~240V/50HZ
Refrigerant	R290
Cooling type	Air fan cooling
Throttling way	Capillary

Work Condition

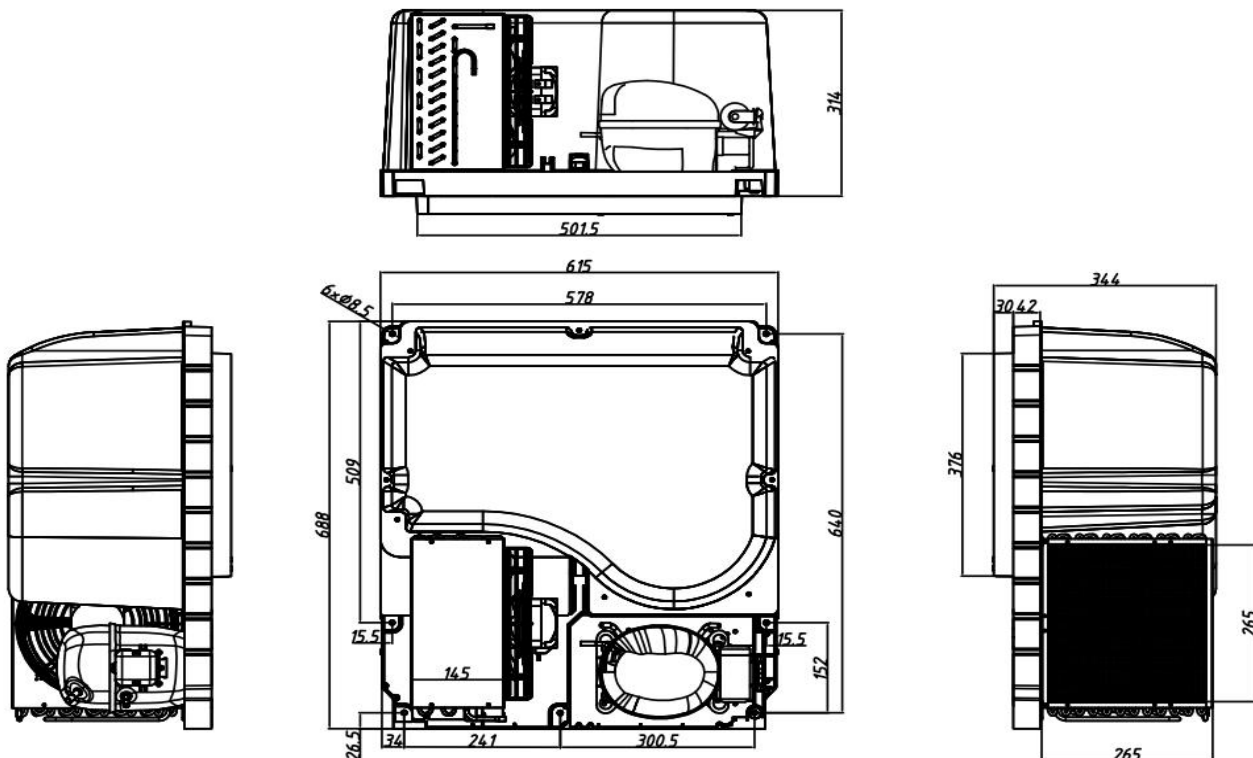
Ambient Temp./Humidity	32°C/RH60%
Evaporating Temp.	7.2°C
Voltage range	187V~254V
Condensing Temp.	54.4°C

Performance Parameter

Volume (700)L	Capacity (W)	Input Power (W)	Current (A)
		≥95%	≤115%
≤700	700	458	2.08

Temp. Control Setting

Item	Functions	Parameters
1	Stop Temp.	≥2°C
2	Restart Temp.	4°C
3	Compressor stop time	5 minites
4	Evaporating fan during defrosting	ON
5	Defrosting period	4 hours
6	Defrosting time	25 minites
7	Defrosting stop Temp.	10°C



Plug-in Top-mounted Monoblock Freezing Unit SAL10U

Model No.	SAL10U
Power supply	220V~240V/50HZ
Refrigerant	R290
Cooling type	Air fan cooling
Throttling way	Capillary

Work Condition

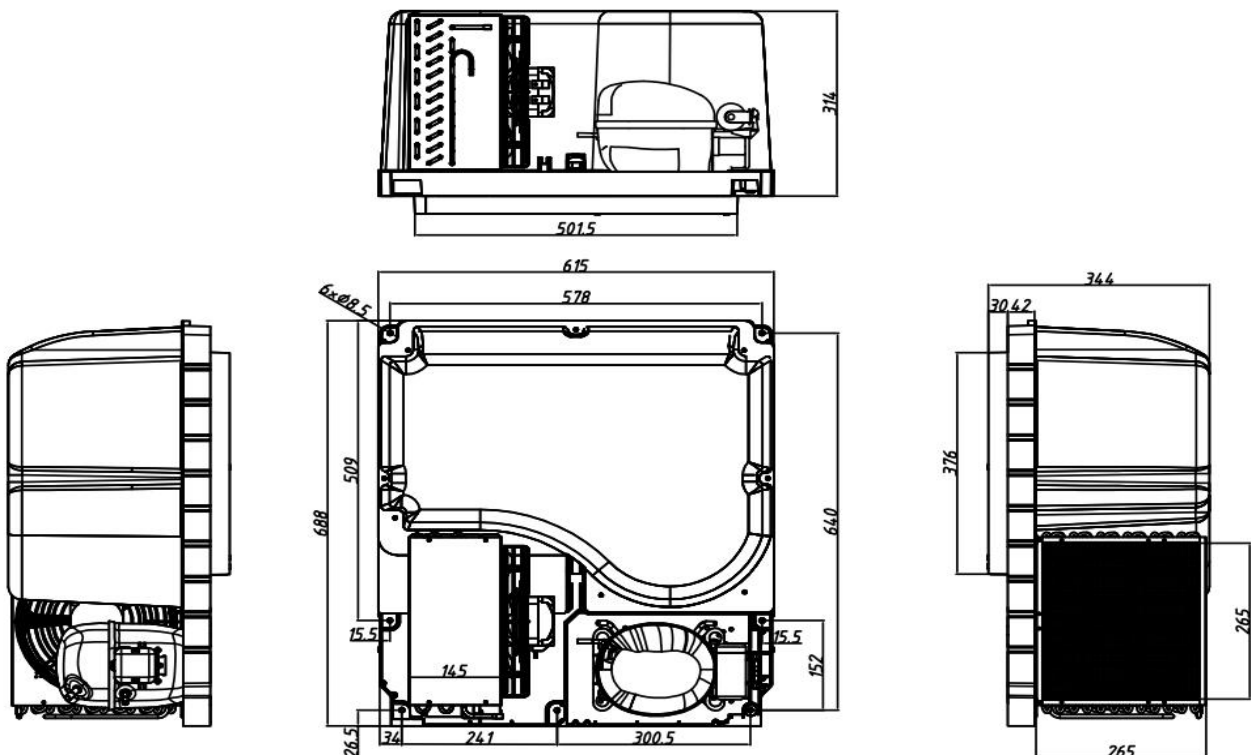
Ambient Temp./Humidity	32°C/RH60%
Evaporating Temp.	-23.3°C
Voltage range	187V~254V
Condensing Temp.	54.4°C

Performance Parameter

Volume (1400)L	Capacity (W)	Input Power (W)	Current (A)
	≥95%	≤115%	≤110%
≤1400	960	785	3.57

Temp. Control Setting

Defrosting with heater		
Item	Functions	Parameters
1	Stop Temp.	≥-22°C
2	Restart Temp.	4°C
3	Compressor stop time	5 minites
4	Evaporating fan during defrosting	OFF
5	Defrosting period	4 hours
6	Defrosting time	25 minites
7	Defrosting stop Temp.	12°C



Plug-in Top-mounted Monoblock Freezing Unit SAL5U

Model No.	SAL5U
Power supply	220V~240V/50HZ
Refrigerant	R290
Cooling type	Air fan cooling
Throttling way	Capillary

Work Condition

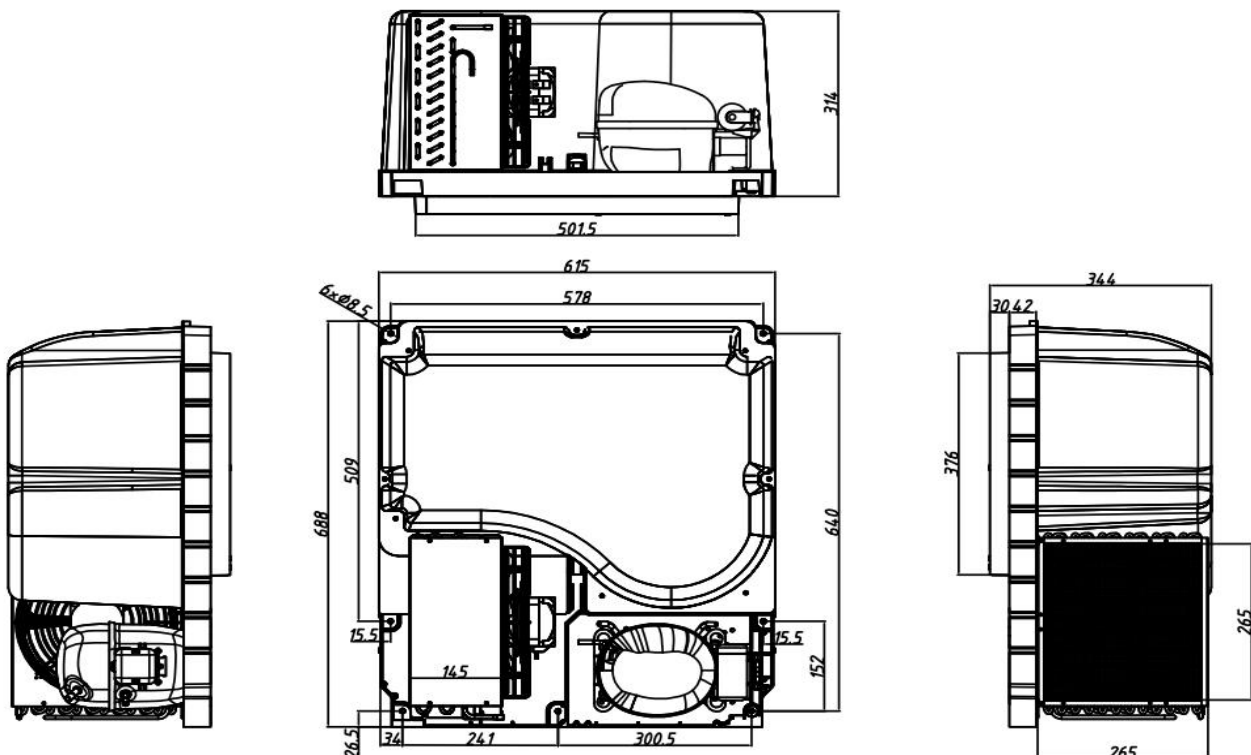
Ambient Temp./Humidity	32°C/RH60%
Evaporating Temp.	-23.3°C
Voltage range	187V~254V
Condensing Temp.	54.4°C

Performance Parameter

Volume (700)L	Capacity (W)	Input Power (W)	Current (A)
		≥95%	≤115%
≤700	539	400	1.82

Temp. Control Setting

Defrosting with heater		
Item	Functions	Parameters
1	Stop Temp.	≥-22°C
2	Restart Temp.	4°C
3	Compressor stop time	5 minites
4	Evaporating fan during defrosting	OFF
5	Defrosting period	4 hours
6	Defrosting time	25 minites
7	Defrosting stop Temp.	12°C



Glenwin
— Glen Refrigeration —



MONOBLOCK REFRIGERATION UNIT

SIDE MOUNT

R290
PROPANE

*For worktop
chiller and
freezer*

INTEGRATED
DESIGN

info@greehvacr.com

www.greehvacr.com

www.glenrefrigeration.com

Plug-in Side-mounted Monoblock Chilling Unit CAM7U



The side-mounted monoblock refrigeration unit is a packaged commercial refrigeration unit which is installed on the side of the commercial equipment.

It adopts sheet metal structure, which can design with various dimensions according to different customers' requirements. It is an assembly of refrigeration compressor, condenser, expansion valve and evaporator and other parts. It has the advantages of compact structure design, good cooling effect, stable and reliable performance, easy for installation and maintenance. It is the best choice of worktop fridge freezer and commercial worktop refrigerator and so on.

Model No.	CAM7U
Power supply	220V~240V/50HZ
Refrigerant	R290
Work back pressure	HMBP
Cooling type	Air fan cooling
Throttling way	Capillary

Work Condition

Ambient Temp./Humidity	32°C/RH55%~75%
Evaporating Temp.	7.2°C
Voltage range	187V~254V
Condensing Temp.	54.4°C

Performance Parameter

Volume (500)L	Capacity (W)	Input Power (W)	Current (A)
	≥95%	≤115%	≤110%
≤500	700	458	2.08

Temp. Control Setting

Item	Functions	Parameters
1	Stop Temp.	≥2°C
2	Restart Temp.	4°C
3	Compressor stop time	5 minites
4	Evaporating fan during defrosting	ON
5	Defrosting period	4 hours
6	Defrosting time	25 minites
7	Defrosting stop Temp.	10°C

Plug-in Side-mounted Monoblock Freezing Unit CAL7U



The side-mounted monoblock refrigeration unit is a packaged commercial refrigeration unit which is installed on the side of the commercial equipment.

It adopts sheet metal structure, which can design with various dimensions according to different customers' requirements. It is an assembly of refrigeration compressor, condenser, expansion valve and evaporator and other parts. It has the advantages of compact structure design, good cooling effect, stable and reliable performance, easy for installation and maintenance. It is the best choice of worktop fridge freezer and commercial worktop refrigerator and so on.

Model No.	CAL7U
Power supply	220V~240V/50HZ
Refrigerant	R290
Work back pressure	LMBP
Cooling type	Air fan cooling
Throttling way	Capillary

Work Condition

Ambient Temp./Humidity	32°C/RH55%~75%
Evaporating Temp.	-23.3°C
Voltage range	187V~254V
Condensing Temp.	54.4°C

Performance Parameter

Volume (500)L	Capacity (W)	Input Power (W)	Current (A)
≤700	≥95%	≤115%	≤110%
	603W	396W	2.41A

Temp. Control Setting

Item	Functions	Parameters
1	Stop Temp.	≥2°C
2	Restart Temp.	4°C
3	Compressor stop time	5 minites
4	Evaporating fan during defrosting	ON
5	Defrosting period	4 hours
6	Defrosting time	25 minites
7	Defrosting stop Temp.	10°C

Plug-in Side-mounted Monoblock Chilling Unit CAL4U



The side-mounted monoblock refrigeration unit is a packaged commercial refrigeration unit which is installed on the side of the commercial equipment.

It adopts sheet metal structure, which can design with various dimensions according to different customers' requirements. It is an assembly of refrigeration compressor, condenser, expansion valve and evaporator and other parts. It has the advantages of compact structure design, good cooling effect, stable and reliable performance, easy for installation and maintenance. It is the best choice of worktop fridge freezer and commercial worktop refrigerator and so on.

Model No.	CAL4U
Power supply	220V~240V/50HZ
Refrigerant	R290
Work back pressure	LMBP
Cooling type	Air fan cooling
Throttling way	Capillary

Work Condition

Ambient Temp./Humidity	32°C/RH55%-75%
Evaporating Temp.	-23.3°C
Voltage range	187V~254V
Condensing Temp.	54.4°C

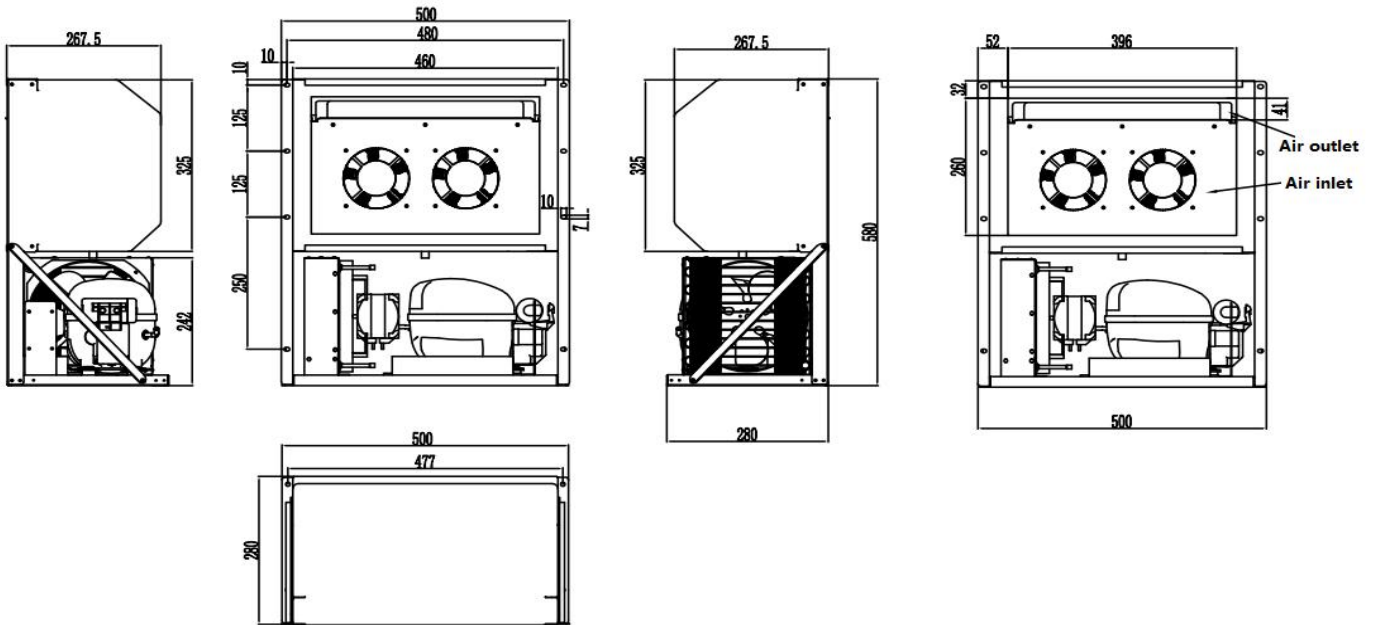
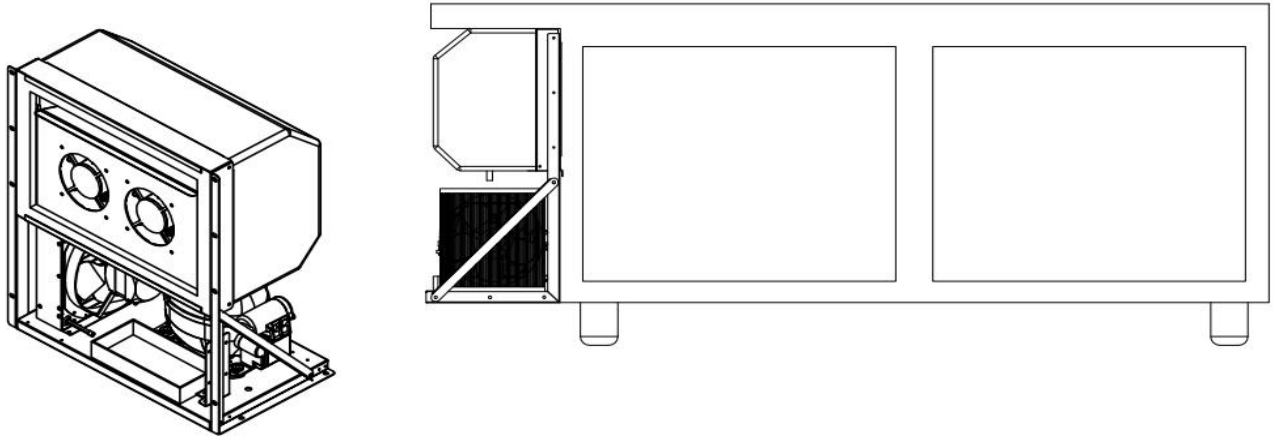
Performance Parameter

Volume (500)L	Capacity (W)	Input Power (W)	Current (A)
	≥95%	≤115%	≤110%
≤500	417W	226W	1.12A

Temp. Control Setting

Item	Functions	Parameters
1	Stop Temp.	≥2°C
2	Restart Temp.	4°C
3	Compressor stop time	5 minites
4	Evaporating fan during defrosting	ON
5	Defrosting period	4 hours
6	Defrosting time	25 minites
7	Defrosting stop Temp.	10°C

Plug-in Side-mounted Monoblock Refrigeration Unit Diagram



Vending Machine Refrigeration Unit



Bottom-mounted
Monoblock
refrigeration unit



R290 PROPANE
Compact size
Easy installation

info@greehvacr.com
www.greehvacr.com
www.glenrefrigeration.com

Phone (Whatsapp): 0086 15057108995

Monoblock Refrigeration Unit for Vending Machine XAM10U

Model No.	XAM10U
Power supply	220V~240V/50HZ
Refrigerant	R290
Cooling type	Fan cooling
Throttling way	Capillary

Work Condition

Ambient Temp./Humidity	32°C/RH55~75%
Evaporating Temp.	-5°C
Voltage range	187V~254V
Condensing Temp.	45°C

Performance Parameter

Volume (1200)L	Capacity (W)	Input Power (W)	Current (A)
≤1200	705	350	2.4

